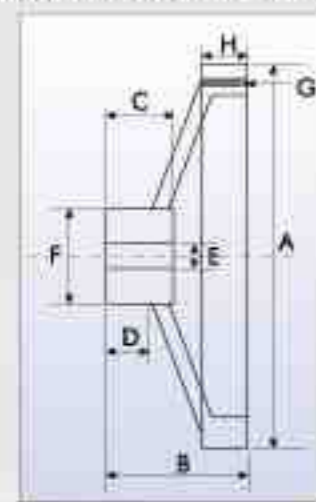
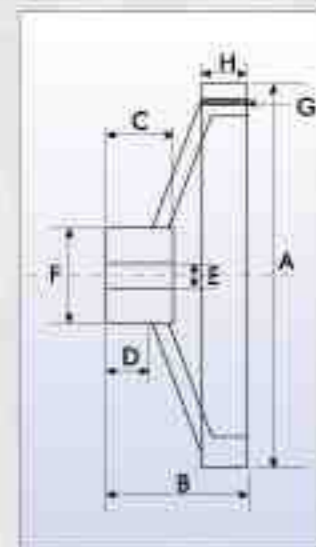


HQK series 折疊式電鍍手輪 HQK系列 SAFETY HANDWHEEL Unit:mm



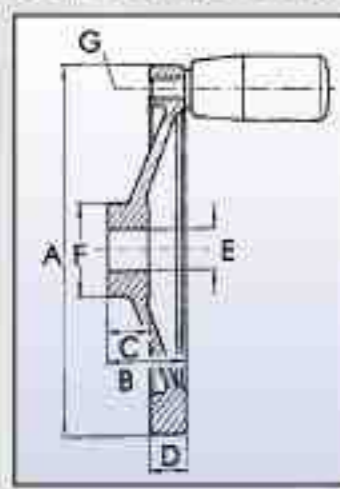
Model No.	A	B	C	D	E	F	G	H	N.W.
HQK-150	150	80	30	22	8	48	M8	24	1.55 kg
HQK-160	162	60	30	22	8	46	M6	24	1.75 kg
HQK-175	175	60	31	22	8	51	M6	25	1.85 kg
HQK-200	200	58	32	25	8	51	M6	27	2.4 kg
HQK-230	230	62	32	23	8	60	M6	26	2.9 kg
HQK-250	250	62	34	23	8	67	M6	28	3.4 kg
HQK-300	300	66	36	22	8	71	M6	26	4.5 kg
HQK-350/355	79	41	23	12	76	M6	30	6.55 kg	

HQA series 電鍍型手輪 HQA系列 SANDBLAST-PLATE HANDWHEELS Unit:mm



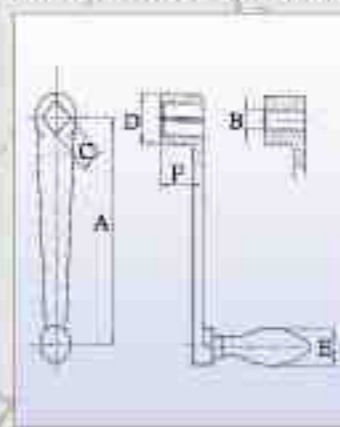
Model No.	A	B	C	D	E	F	G	H	N.W.
HQA-75	75	27	18	8	7	26	-	11	0.3 kg
HQA-100	100	33	20	12	7	30	-	13	0.5 kg
HQA-125	125	43	30	19	7	38 5/16"	-	15	0.75 kg
HQA-150	150	53	30	23	8	46 3/8"	-	20	1.28 kg
HQA-160	165	56	30	23	8	47 3/8"	-	21	1.55 kg
HQA-175	175	54	31	21	8	51 3/8"	-	20	1.7 kg
HQA-200	200	56	32	26	8	51 3/8"	-	22	2.0 kg
HQA-230	230	66	40	26	8	45 3/8"	-	22	2.4 kg
HQA-250	250	63	34	22	8	68 3/8"	-	25	2.35 kg
HQA-300	300	66	36	22	8	71 3/8"	-	25	4.7 kg
HQA-350/355	75	41	23	12	76	3/8"	-	26	6.45 kg

HAL series 鋁合金手輪 HAL系列 ALUMINUM HANDWHEELS Unit:mm



Model No.	A	B	C	D	E	F	G	N.W.
HAL-80	80	26	16	13	10	26	-	0.21kg
HAL-100	100	30	17	14	10	28	-	0.31kg
HAL-125	125	37	18	15	12	31	M8	0.44kg
HAL-140	140	36	19	16.5	14	36	M8	0.56kg
HAL-160	160	44	20	16	14	36	M10	0.74kg
HAL-200	200	45	24	20	18	42	M10	1.43kg
HAL-250	250	51	28	23	22	48	M10	1.67kg

HM series 噴砂曲柄把手 HM系列 CRANKED HANDLE Unit:mm



Model No.	A	B	C	D	E	F	N.W.	
HM-100	HM-100-SQ	100	B10	V12	28	20	26	0.28 kg
HM-125	HM-125-SQ	125	B10	V14	34	22	34	0.45 kg
HM-150	HM-150-SQ	150	B14	V17	38	25	36	0.55 kg
HM-180	HM-180-SQ	180	B14	V17	38	25	38	0.75 kg
HM-200	HM-200-SQ	200	B17	V19	44	28	44	1.05 kg

HM series 電鍍彎曲把手 HM系列 CRANKED HANDLE MODEL NO: HM-9 HM-9CC(Chrome Plated) HM-9L HM-9LCC(Chrome Plated)



電鍍彎曲把手 HM 系列
MODEL NO:
HM-9
HM-9CC(Chrome Plated)
HM-9L
HM-9LCC(Chrome Plated)

Gradation Rings 刻度環



SAC series 可調式底座 MODEL NO: SAC-4(pad) SAC-170 X 100 BS-80/BS-100



ADJUSTABLE
LEVEL BASE
MODEL NO:
SAC-4(pad)
SAC-170 X 100
BS-80/BS-100

Custom size and structures are available to meet with your specifications.

本公司產品不斷精進，若有任何變更，恕不另行通知。
To ensure technological excellence, specifications are subject to change without prior notice.



Distributed by / 經銷商:



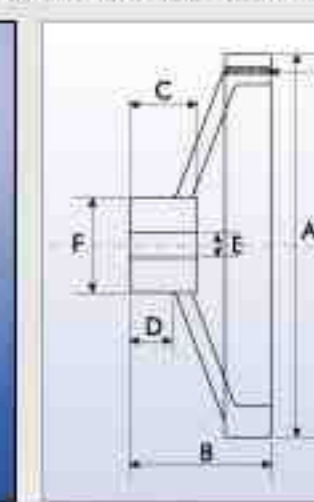
Accent your machinery with durable and attractive handwheels, levers and handles.



結構及優異特性:

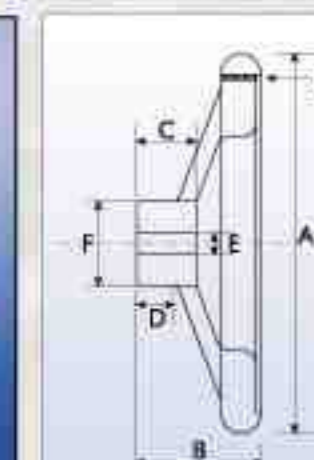
- 全系列產品均通過 ISO-9001 國際品質認證。
- 精密加工，外型簡潔大方，美觀舒適。
- 造型美觀，為您提供優越感。
- 備有專屬倉庫，一般常用規格，庫存量大，可快速交貨。
- 特殊規格及外型可依客戶指定尺寸訂製。

HK series 折疊式電鍍手輪 HK系列 SAFETY HANDWHEELS Unit:mm



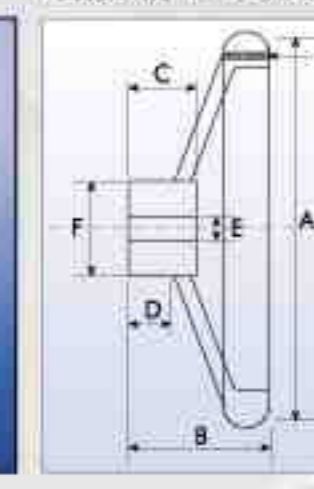
Model No.	A	B	C	D	E	F	G	N.W.
HK-125	125	46	20	11	8	31	M6	1.2kg
HK-150	150	52	26	19	8	39	M6	1.9kg
HK-175	175	58	29	21	8	48	M6	2.1kg
HK-200	200	67	31	22	8	50	M6	3.1kg
HK-250	250	78	36	27	8	58	M6	4.5kg

HB series 電鍍手輪 HB系列 HANDWHEELS Unit:mm



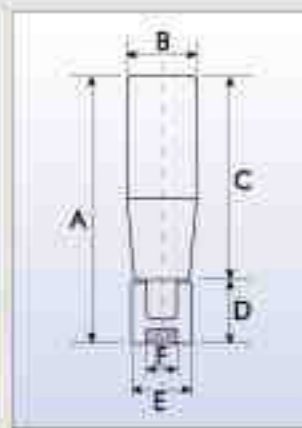
Model No.	A	B	C	D	E	F	G	N.W.
HB-3	76	34	24	13	7	31	-	0.36 kg
HB-3.5	89	41	25	13	7	33	-	0.46 kg
HB-4	101	43	23	13	7	40 5/16"	-	0.63 kg
HB-5	127	50	25	13	7	48 5/16"	-	1.05 kg
HB-6	152	53	30	18	8	50 3/8"	-	1.6 kg
HB-7	177	58	30	18	8	53 3/8"	-	1.7 kg
HB-8	203	58	31	18	8	58 3/8"	-	2.4 kg
HB-10	254	63	32	18	8	67 3/8"	-	3.8 kg
HB-12	304	72	39	21	8	70 3/8"	-	5.6 kg
HB-14	355	82	43	26	12	74 3/8"	-	7.4 kg
HB-16	406	95	47	28	12	84 3/8"	-	10.6 kg
HB-18	457	95	48	26	12	84 3/8"	-	12.4 kg
HB-20	508	95	50	28	12	84 3/8"	-	14 kg

HO series 電鍍手輪 HO系列 HANDWHEELS Unit:mm



Model No.	A	B	C	D	E	F	G	N.W.
HO-3	72	30	17	10	7	25	-	0.23 kg
HO-4	100	38	19	11	7	29 5/16"	-	0.45 kg
HO-5	120	47	27	14	7	38 5/16"	-	0.8 kg
HO-6	150	52	30	20	8	46 3/8"	-	1.2 kg
HO-6.5	165	57	35	22	8	42 3/8"	-	1.25 kg
HO-7	175	58	32	17	8	50 3/8"	-	1.5 kg
HO-8	205	63	32	22	8	50 3/8"	-	2 kg
HO-10	245	77	36	22	8	68 3/8"	-	3.2 kg
HO-12	315	68	36	19	8	71 3/8"	-	5 kg

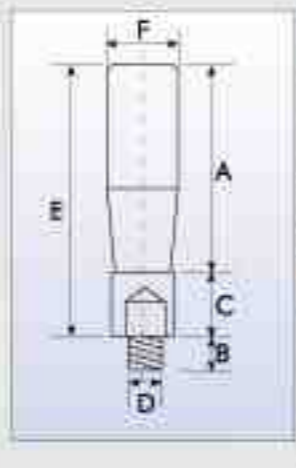
HL series 折疊式把手 HL 系列 RETRACTABLE SAFETY HANDLES



Model No.	A	B	C	D	E	F	G	N.W.
HL-65	88	23	68	19.5	20	6	M6	0.10kg
HL-80	103	26	83	19.5	20	6	M6	0.12kg
HL-90	113	28	92	19.5	20	6	M6	0.14kg

Unit:mm

HIA/HI series



電鍍把手 HIA 系列 SANDBLAST-PLATE HANDLES

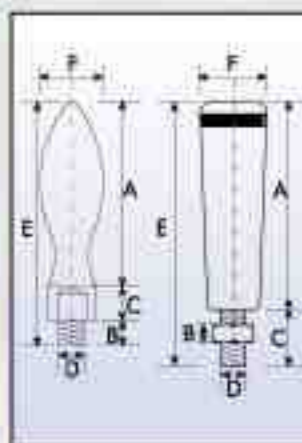
Model No.	A	B	C	D	E	F	N.W.
HIA-M8	62	9	8	M8	79	19	0.13kg
HIA-M10	80	14	10	M10	91	23	0.26kg
HIA-5/16	62	9	8	5/16"	79	19	0.13kg
HIA-3/8	80	14	10	3/8"	91	23	0.26kg

Unit:mm

電鍍把手 HI 系列 ZINC ALLOY REVOLVING HANDLES

Model No.	A	B	C	D	E	F	N.W.
HI-M8	62	9	8	M8	79	19	0.13kg
HI-M10	80	14	10	M10	91	23	0.26kg
HI-5/16	62	9	8	5/16"	79	19	0.13kg
HI-3/8	80	14	10	3/8"	91	23	0.26kg

HZ / HH series



電鍍把手 HZ 系列 ZINC ALLOY REVOLVING HANDLES

Model No.	A	B	C	D	E	F	N.W.
HZ-M6	45	8	8	M6	63	16	0.1kg
HZ-M8	62	14	10	M8	82	20	0.1kg
HZ-M10	75	11	13	M10	98	25	0.2kg
HZ-5/16	62	14	10	5/16"	82	20	0.1kg
HZ-3/8	75	11	13	3/8"	98	25	0.2kg
HZ-3/80	67	14	10	3/8"	111	26	0.2kg

Unit:mm

塑膠把手 HH 系列 PLASTIC REVOLVING HANDLES

Model No.	A	B	C	D	E	F	N.W.
HH-8	53	6	15	M8	74	19	0.05kg
HH-10	81	7	16	M10	103	27	0.1 kg
HH-5/16	53	6	15	5/16"	74	19	0.05kg
HH-3/8	81	7	16	3/8"	103	27	0.1 kg

HJ series



螺絲尺寸可依客戶規格製作
Customized sizes available

萬向緊定把手 HJ 系列 ADJUSTABLE HAND LEVER (鋅鋅合金) (ZINC ALLOY)

MODEL NO:

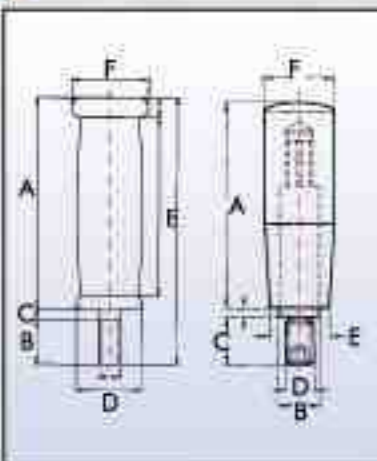
HJ-45A HJ-45B
HJ-63A HJ-63B
HJ-80A HJ-80B
HJ-95A HJ-95B
HJ-114A HJ-114B

HOO series



電木圓珠 HOO 系列
PLAIN SPHERICAL KNOSS

HZBR / HHPR series



軸承式把手 HZBR 系列 BEARING REVOLVING HANDLES

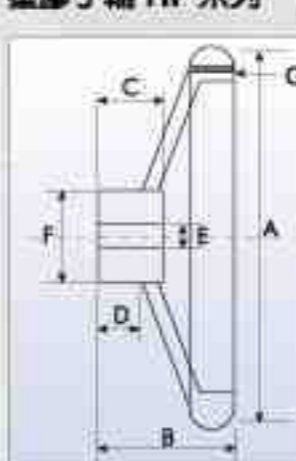
Model No.	A	B	C	D	E	F	N.W.
HZBR-3/8	96	20	5	3/8"	121	35	0.4kg

Unit:mm

電木把手 HHPR 系列 PHENOL RESIN REVOLVING HANDLES

Model No.	A	B	C	D	E	F	N.W.
HHPR-21	56	10	13	M6	18	21	0.04kg
HHPR-23	65	13	14	M8	19	23	0.06kg
HHPR-26	80	13	16	M10	21	26	0.11kg
HHPR-28	90	13	16	M10	23	28	0.12kg

HP series

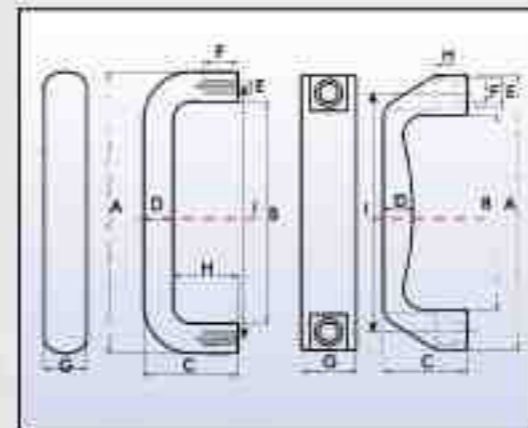


塑膠手輪 HP 系列 PLASTIC HANDWHEELS

Unit:mm

Model No.	A	B	C	D	E	F	G	N.W.
HP-3	88	36	23	12	8"	31	-	0.09kg
HP-4	97	44	29	16	3/8"	31	5/16"	0.11kg
HP-4.5	114	42	28	14	1/2"	32	5/16"	0.13kg
HP-5	123	45	30	16	1/2"	33	5/16"	0.16kg
HP-6	155	55	36	20	1/2"	41	3/8"	0.27kg
HP-7	178	59	42	23	5/8"	41	3/8"	0.37kg
HP-8	195	61	39	15	3/4"	35	3/8"	0.52kg

HPU / HPRU series



弓型電木把手 HPRU 系列 Phenol Resin Cabinet "U" handles

Model No.	A	B	C	D	E	F	G	H	I	N.W.
HPRU-119	140	102	58	20	M8	16	29	36	119	0.15kg
HPRU-181	201	163	80	19	M8	16	29	41	181	0.18kg
HPRU-239	258	220	80	19	M8	16	29	41	239	0.21kg

弓型電鍍把手 HPU 系列 Plastic Cabinet "U" handles

Model No.	A	B	C	D	E	F	G	H	I	N.W.
HPU-99	146	16	43	14	14	10	27	9	99	0.04kg
HPU-114	130	90	43	14	14	9	26.5	9	114	0.06kg
HPU-129	113	76	43	14	14	9	20	11	129	0.07kg
HPU-118AB	136	105	38	7	14	M8	25	15	119	0.07kg

L series



SUPER FLEXIBLE COUPLINGS

NM series



SUPER FLEXIBLE COUPLINGS
MODEL NO:
NM-50 ~ 214

DC series



FLEXIBLE COUPLINGS
MODEL NO:
DC-40 DC-65
DC-55 DC-80

MC series



POWERFUL COOLING PUMP

PI series



POSITION INDICATOR
MODEL NO:
PI-09 PI-04

PM/PL series



V BELT - PULLEY
MODEL NO:
PM-SPA, SPB, SPC
PL-SPA, SPB

HC/HD series HF series



MODEL NO:
HC-160 HD-99
HC-200 HD-106
HC-160A HD-138
HC-200A HD-152

MODEL NO:
HF-150 HF-200
HF-175 HF-210

HY series



MODEL NO: HY-3

HQL series



ALUMINUM HANDWHEEL
MODEL NO:
HQL-190 HQL-210

HQM series



MODEL NO:
HQM-175A HQM-250A
HQM-240A HQM-300A

OLG/ON series



OIL LEVEL GAUGE AND OIL NUT SERIES
MODEL NO:
OLG-19 OLG-29 OLG-48
ON-19 ON-23 ON-32

SS series



SCREWING STAND (Casting iron)
MODEL NO:
SS-SH50 SS-SH99

HA series



MODEL NO:
HA-110 HA-140
HA-125 HA-150

HE series



MODEL NO:
HE-80 HE-110
HE-100

