

規格：

**Specifications:**

單位：mm公厘

TABLE	工作臺	
Table area	工作臺尺寸	900x2,500 mm
T-slot (Width/Depth)	T型槽	5 / 20 mm(寬度/深度)
Table height from floor	工作臺面高度	600 mm (其它高度可指定) (Custom height available)

WORKING CAPACITY	加工能力	
Table travel	工作臺行程	X軸 0~2,500 mm
Spindle head travel	主軸頭行程	Y軸 0~1,300 mm
Spindle head elevation	主軸頭上下	Z軸 0~600 mm
Distance between columns(Throat depth)	門間距(喉深)	1,200 mm
Working height	加工高度	0~600 mm
Spindle end	主軸端	Ø128.57 mm

SPINDLE	主軸	
Spindle nose taper	主軸孔斜度	BT-50, NT-50
Spindle speed 9 ST	主軸轉速	#66-662 R.P.M.(9種轉速)

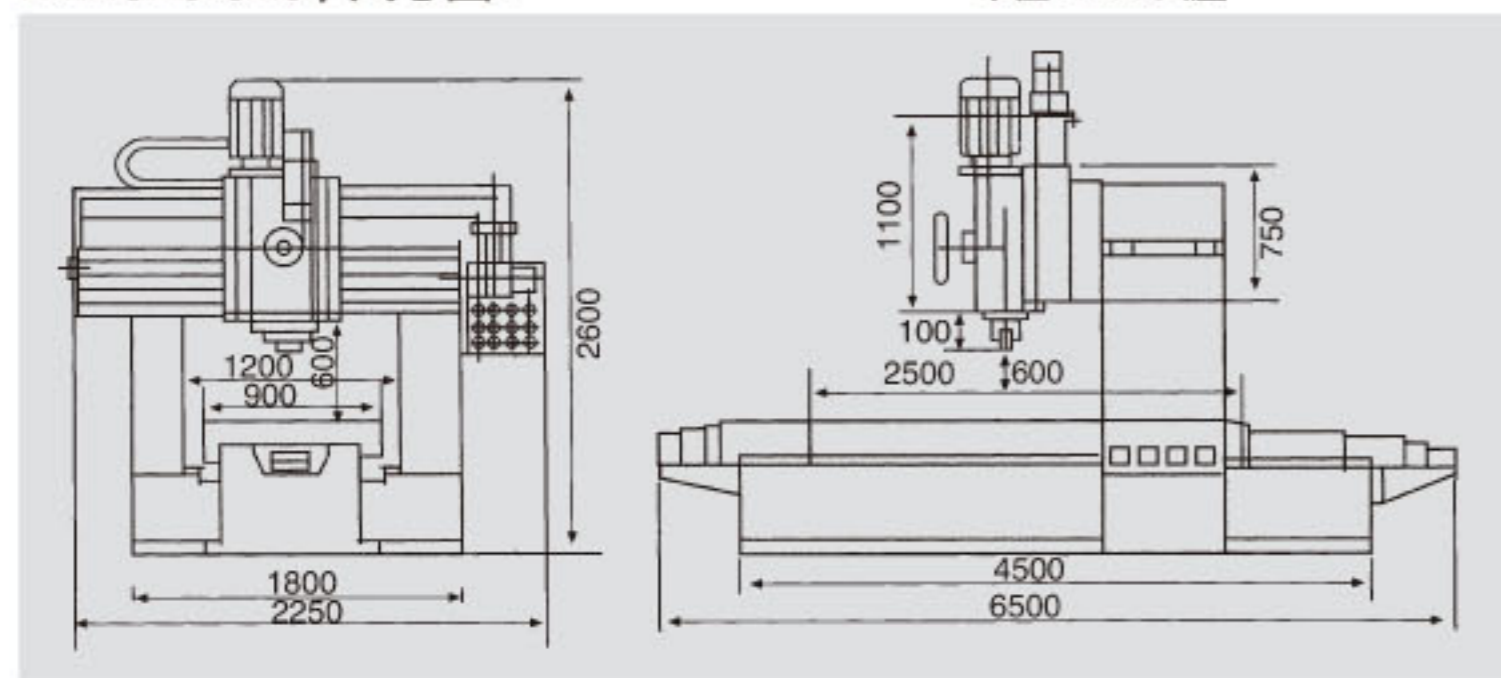
FEED SPEED (RAPID)	進給速度	
Table rapid traverse	工作臺(快進)	0~2,000 (8,000) mm/min
Spindle rapid cross traverse	主軸左右(快進)	0~2,000 (5,000) mm/min
Spindle rapid elevation	主軸上下(快進)	0~550 mm/min

MOTOR	電動機	
Table	工作臺	1.5 KW 伺服驅動 (servo)
Spindle head cross travel	主軸頭左右	1 KW 伺服驅動 (servo)
Spindle head elevation	主軸頭上下	0.4 KW (0.5HP) x 4P
Spindle	主軸	12 KW (15HP) x 4P
Weight	重量(含側銑頭)	約 (Approx.) 8,500 kg
Table max. load	工作臺最大安全載重	2,500 kg / 公斤

● All specifications and designs are subject to change without notice.  
以上規格如因設計變更恕不另行通知。

**Dimensions / 尺寸圖：**

單位：mm公厘



**Standard Accessories:**

- Leveling bolts sets
- Tool box
- Beam guard
- Table guard
- Pneumatic, fast tool clamping

**標準附件：**

- 水平調整螺絲組
- 工具箱
- 橫樑護蓋
- 工作臺護蓋
- 氣壓式快速鎖刀退刀裝置

**Optional Accessories:**

- 90° head
- Side milling head
- Work lamp
- Digital display linear scale
- PC-based controller

**特殊附件：**

- 90°水平加工頭
- 側面銑頭
- 工作燈
- 數位顯示光學尺
- 電腦控制系統



Since 1962

**CI-900\*2500**

**HEAVY DUTY  
DOUBLE  
HOUSING  
PLANOMILLER**



Distributed by / 經銷商：

**定樑式數顯龍門銑床**

# HEAVY DUTY DOUBLE HOUSING PLANOMILLER

## 定樑式數顯龍門銑床

### CI-900\*2500



**4 LINEAR WAYS**  
The cross travel of the spindle head is equipped with 4 precision linear guide ways assuring the best possible stability while the machine is performing heavy cutting.

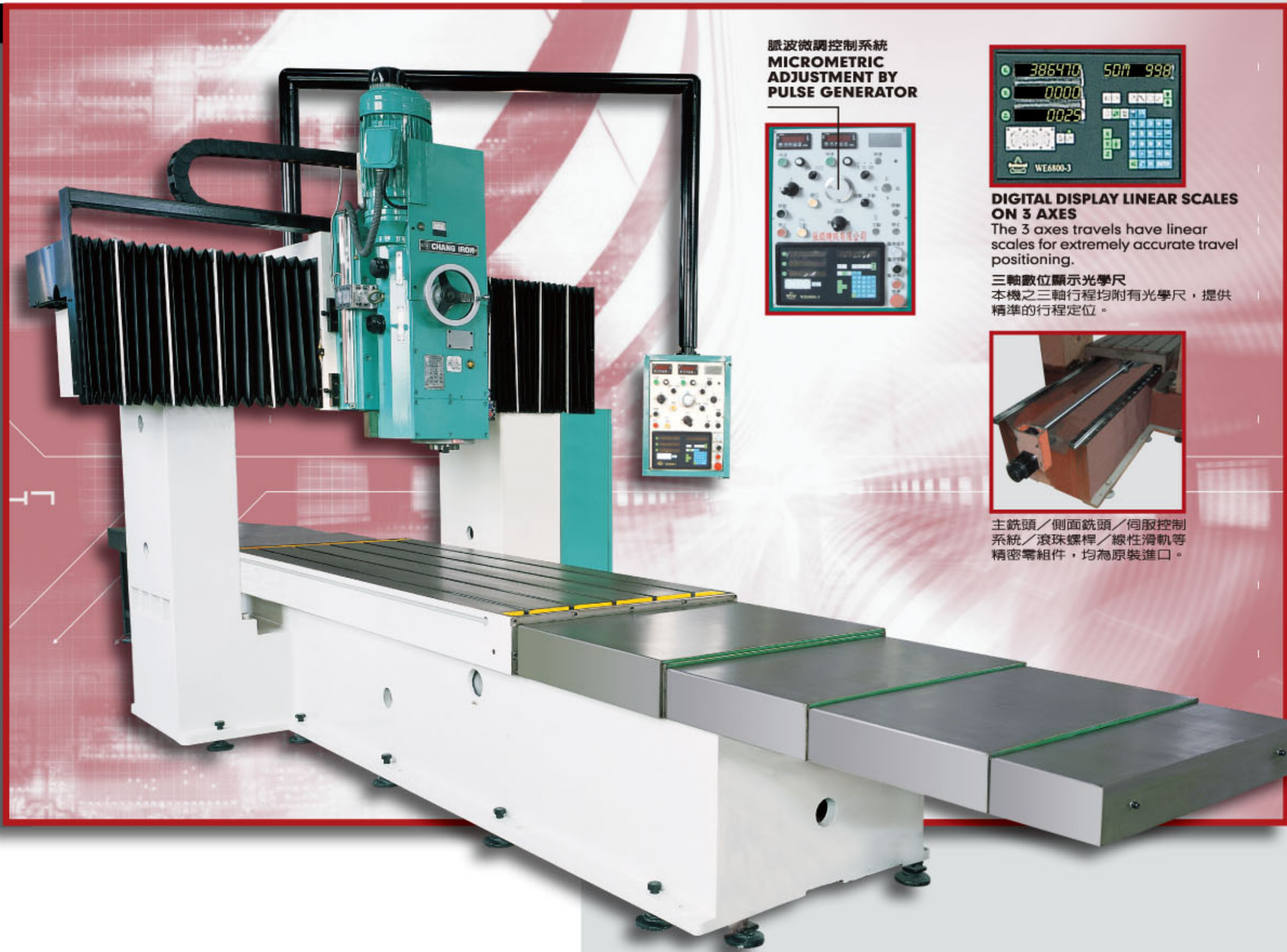
**四軌式線性滑軌**  
主軸頭之左右行程附有四支精密線性滑軌。於重切削情況下，確保最佳的主軸頭穩定性。

### FEATURES AND CONSTRUCTION:

- From mold making to foundry, from heat treatment to processing, from products to distributors, all processes are conducted in house. All this enables us to provide comprehensive services, dependable quality and the most competitive prices.
- To eliminate geometric accuracy error and accumulated tolerance error occurring on a conventional traveling beam, this machine is specially designed with a fixed beam.
- 4 precision linear ways on the cross travel greatly upgrade spindle head stability during heavy and light cutting.
- The travel of the spindle head is driven by a servomotor combined with micrometric adjustment by pulse generator and precision ball screw transmission assuring superior machining accuracy.
- The table traverses on extra wide linear motion guides for rigid and smooth movement. This features heavy loading capacity and maximum wear resistance.
- 3 axes are equipped with linear scales ensuring high travel positioning accuracy.
- The entire machine structure is manufactured from high quality FC 300 cast iron and tempered for relieving stress. This assures maximum material stability without deformation.
- Pneumatic tool clamping provides convenient tool loading and unloading and upgrades efficiency.
- Available to equip with a PC-based controller (optional).

### 機械特性及結構：

- 從開模到鑄造、從熱處理到加工、從成品到客戶端，全程自廠自銷，能提供最完整的售後服務，及最有競爭力的品質與價位。
- 特殊設計的定樑式構造，免除一般動樑式所產生的幾何結構誤差與累積公差問題。
- 主軸頭左右行程採用四軌式精密線性滑軌，無論在輕、重切削時，均大幅提昇主軸頭之穩定性。
- 主軸頭左右行程採用伺服馬達驅動，搭配脈波器微調控制，輔以精密滾珠螺桿傳動，確實掌握加工精度。
- 工作台運行以寬軌式線性滑軌為基座，提供堅固而滑順的工作行程，具重負載、耐磨耗特性。
- 工作台行程採用伺服控制器驅動，搭配精密滾珠螺桿傳動，確實掌握加工精度。
- 三軸均附數控光學尺，確保最佳的行程定位精度。
- 機體結構採用FC-300高級鑄鐵製成，並經回火處理，大幅消除內應力，材質穩定、經久耐用不變形。
- 氣壓式鎖刀，使刀具裝卸更方便，提高換刀效率。
- 可選配電腦數值控制系統。



### 脈波微調控制系統 MICROMETRIC ADJUSTMENT BY PULSE GENERATOR



### DIGITAL DISPLAY LINEAR SCALES ON 3 AXES

The 3 axes travels have linear scales for extremely accurate travel positioning.

**三軸數位顯示光學尺**  
本機之三軸行程均附有光學尺，提供精準的行程定位。



主銑頭/側面銑頭/伺服控制系統/滾珠螺桿/線性滑軌等精密零組件，均為原裝進口。